

RemetzCar



THE STRETCHED MERCEDES S-CLASS

Technical Data



TECHNICAL DATA

Exterior equipment

Complete steel roof in lacquered execution (sunroof possible).
Body painted in the car's original color and color matching roof rails.
Complete new middle section with doors for maintenance and tinted safety glass (fixed).
2 adapted backdoors, following the lining carried out with modified outer-sheets.

Interior equipment

Rear facing bench for 3 persons, fixed, for each seat a 3-point safety belt.
Middle part trimmed in accordance with the rear and front door panels.
Vanity mirrors for rear and middle bench.
LCD screens integrated in the headlining (optional).
Ambient interior lighting, dimmable, with integral reading lights.
Glass compartement and fridge (optional).
Automatic climate control for rear and middle seats.
Full division with optional a integrated LCD screen and/or Electronically switchable glass.

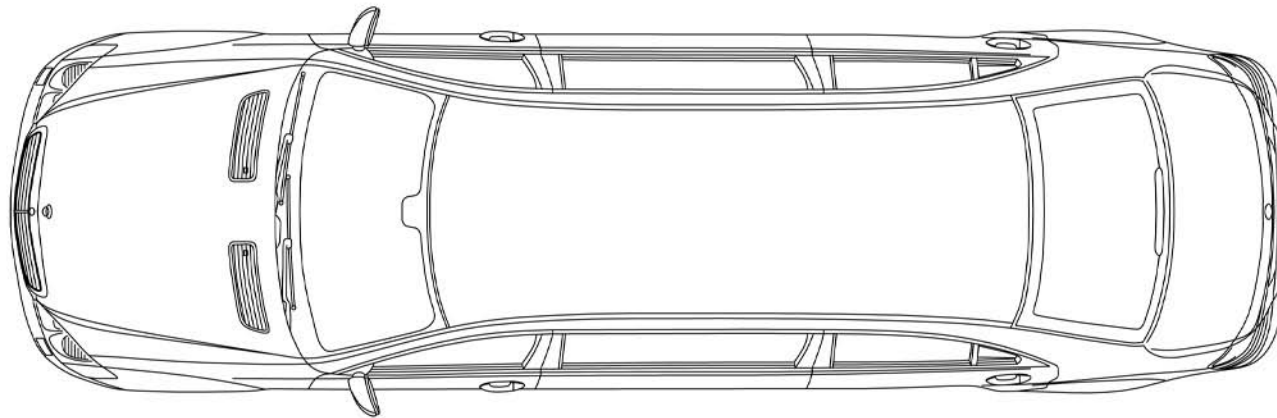
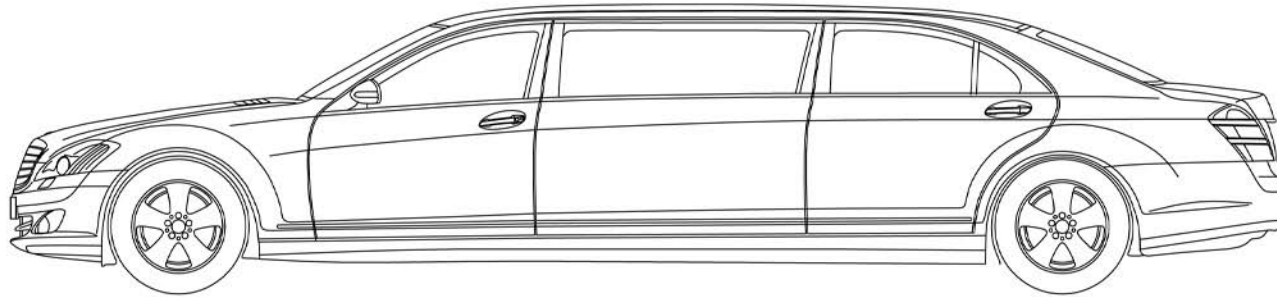
Other

Original M-B S-Class preserved in the conversion.
The car goes through an anti-corrosion process, during the production process, which guarantees the structure for numerous years.

Dimensions

Total extension	1400	mm
Wheelbase	4565	mm
Vehicle length	6609	mm
Width	1872	mm
Width across mirrors	2115	mm
Height	1520	mm





Information correct at time of going to press. Illustrations may show optional extras which are not part of standard specification.
The standard vehicle equipment may vary according to country of delivery and the conversion can be effected by this.
Reproduction only with permission of RemetzCar.

© 2009 Copyright RemetzCar, Lisse, The Netherlands. All rights reserved.
<http://www.remetzcar.com>

